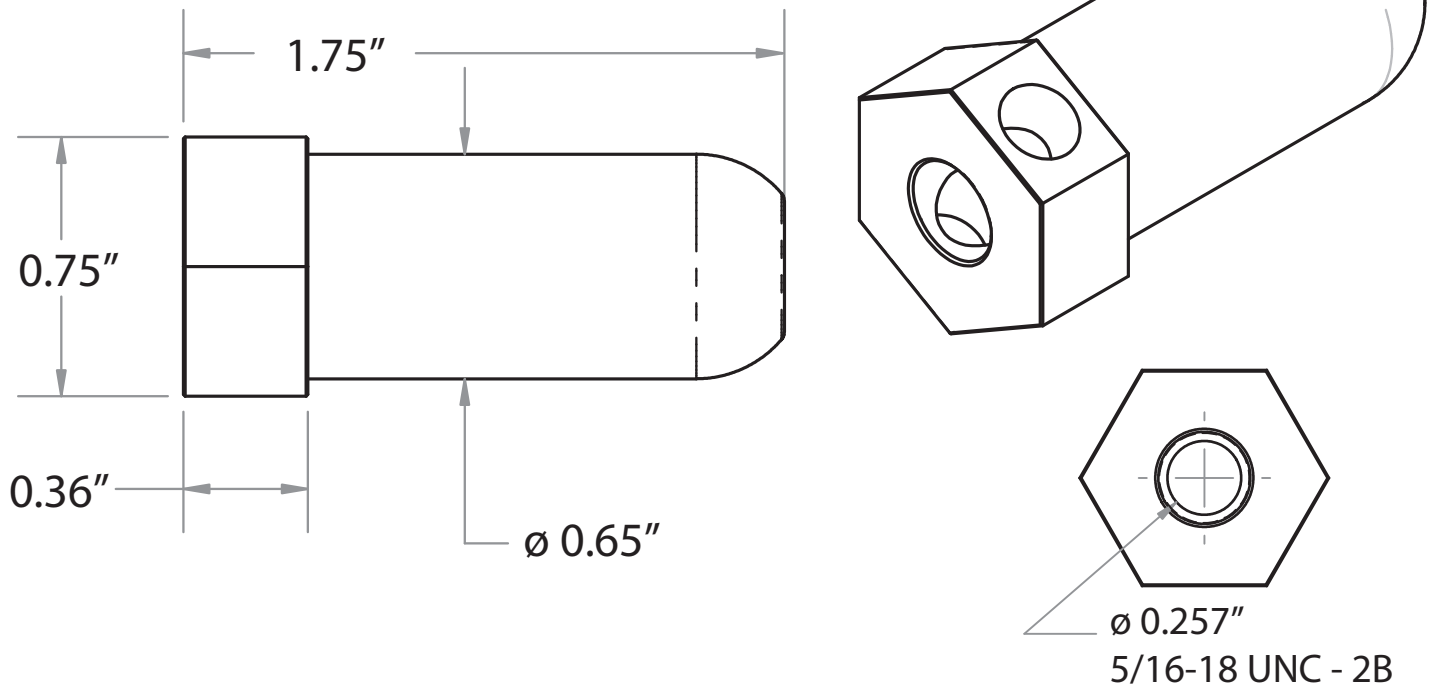


TCC: Sanitary Flange Clamp Nut

Dimensions:



Specifications:

- Allows for calibrated torque to be applied to flanges
- Standard 3/4" hex end
- Hole in hex end for tagging or locking purposes
- Available in a variety of materials:
 - 304 Stainless Steel
 - 316L Stainless Steel
 - 464 "Naval Brass"
 - Nitronic 60



Contact BioWorks with any questions or to place an order:

BioWorks! LLC
1049 Bushkill Drive
Easton, PA 18042
(610) 559 - 1470

BioWorks!

Innovative Devices for Biotechnology