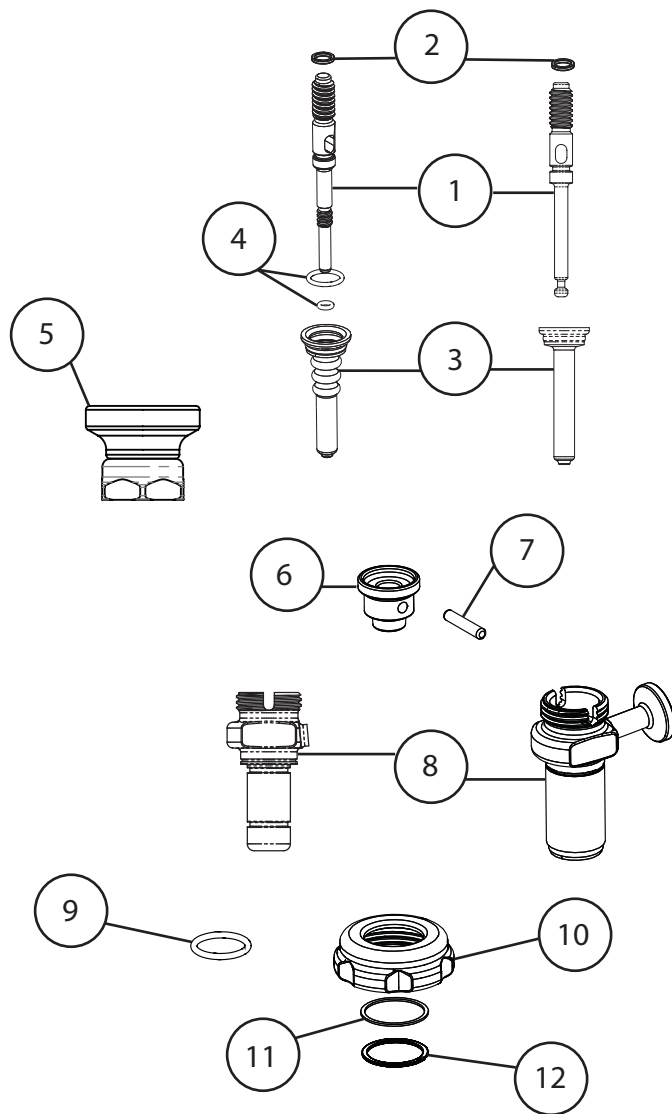


BSV: Side Port Valve

The Bio Sample Port Valve is a new a biotech and pharmaceutical valve from BioWorks! with a small "footprint" and a simple, clean design, the BSV is ideally suited for bioprocess sampling, SIP and additions. The Side Port configuration fits into available 25 mm or 19 mm straight and angled side ports.

Features:

- 19 mm or 25 mm Ingold options.
- 1 to 4 outlets. Custom configurations available.
- Machined TFM or molded silicone seals.
- Single piece main seal, no shaft seal to foul.
- Small internal fluid volume and surfaces.
- Self draining in both vertical and horizontal.
- Modified port O-Ring gland improves change-out.
- Autoclavable and CIP/SIP safe.
- Meets the BPE-2002 standard.



Part List:

1: Valve Stem	-----	316L
2: Stem O-ring	-----	Silicone
3: Seal	-----	TFM or Silicone
4: O-rings for TFM Seal	-----	Silicone
5: Handle	-----	PEI & 316L or 464
6: Upper Seal Retainer	-----	316L
7: Dowel Pin	-----	18-8
8: Valve Bodies	-----	316L
9: Ingold O-ring	-----	Silicone
10: Ingold Collar	-----	316L
11: Collar Bearing	-----	Ultem 1000
12: Snap Ring	-----	302 SS

Valve Dimensions

