

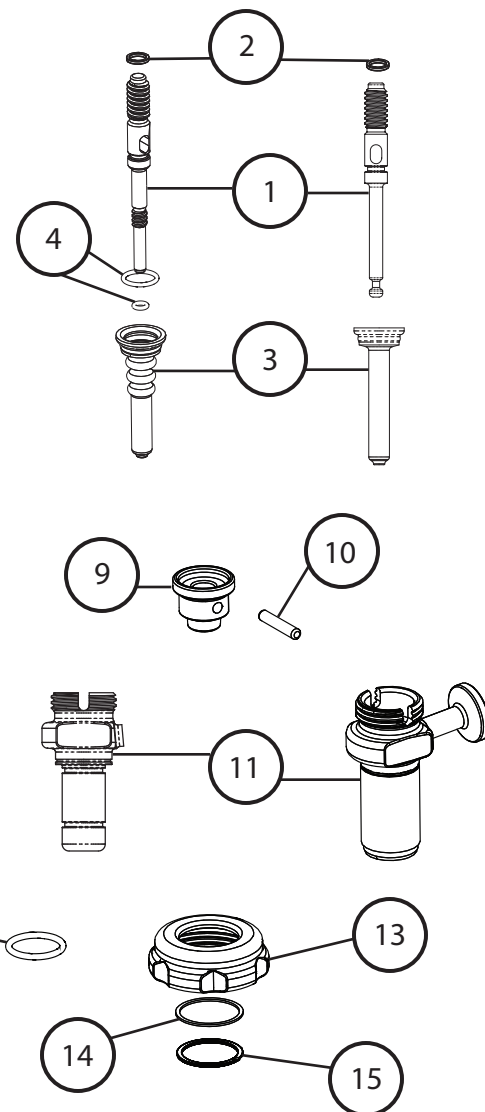
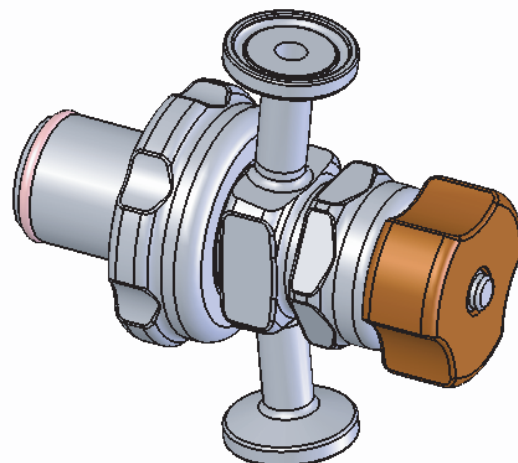
BSV: Side Port Valve

Self Draining Side Port Sampling Valve

The Bio Sample Port Valve is a new a biotech and pharmaceutical valve from BioWorks! With a small "footprint" and a simple, clean design, the BSV is ideally suited for bioprocess sampling, SIP and additions. The Side Port configuration fits into available 25 mm or 19 mm straight and angled side ports.

Features:

- 19 mm or 25 mm.
- 1 to 4 outlets. Custom configurations available.
- Machined TFM or molded silicone seals.
- Single piece main seal, no shaft seal to foul.
- Small internal fluid volume and surfaces.
- Self draining in both vertical and horizontal.
- Modified port O-Ring gland improves change-out.
- Autoclavable and CIP/SIP safe.
- Meets the BPE-2002 standard.



Parts:

1: Valve Stem	-----	316L
2: Stem O-ring	-----	Silicone
3: Seal	-----	TFM or Silicone
4: O-rings for TFM Seal	-----	Silicone
5: Handle	-----	Ultem 1000
6: Collar	-----	316L or 464
7: Handle Bearing	-----	Ultem 1000
8: Snap Ring	-----	302 SS
9: Assembly Collar	-----	316L
10: Dowel Pin	-----	18-8
11: Valve Bodies	-----	316L
12: Ingold O-ring	-----	Silicone
13: Ingold Collar	-----	316L
14: Collar Bearing	-----	Ultem 1000
15: Snap Ring	-----	302 SS

Valve Body Dimensions:

