

BTV: Manifold Samplers

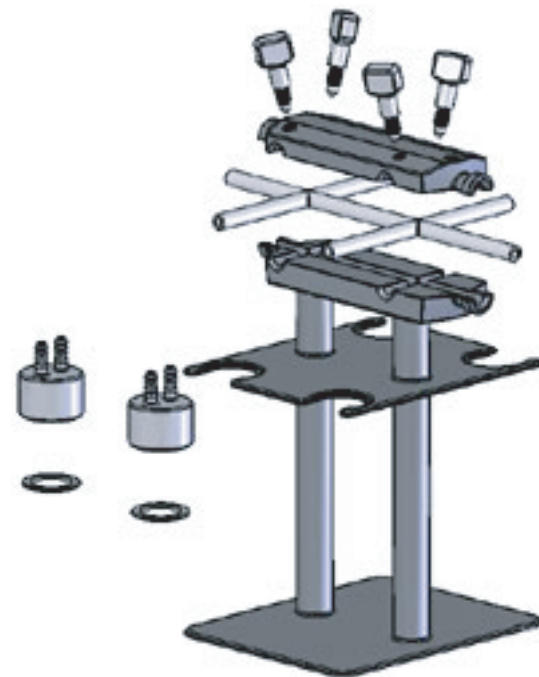
Bioprocess Sampling Systems

BioWorks! BTV Manifold Samplers offer accurate sampling and ease of cleanup. The one-piece silicone seal includes the tubing and manifold from 2 to 10 integrally molded outlets and is disposable. Each outlet has an independent pinch valve for bubble tight shut off and sample control. The entire assembly is autoclavable. Master shut-off valve allows for CIP/SIP. Available in configurations from 2 to 10 outlets.

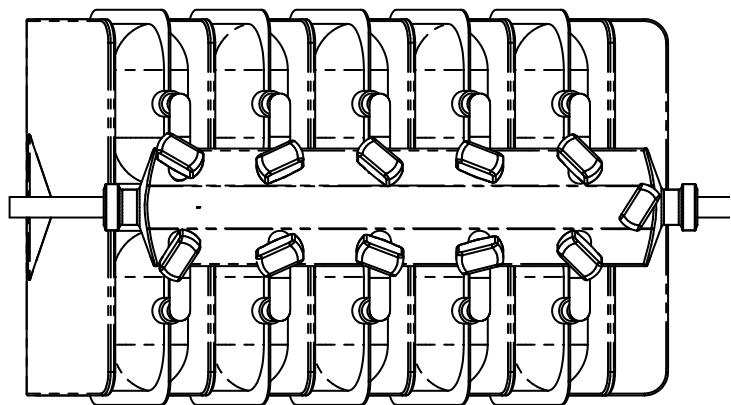
Features:

- Single piece disposable molded silicone seal
- Available in configurations of 4 or 10 valves
- Spherical pinch valve stems
- Master shut-off valve on inlet
- Easy assembly and disassembly
- Autoclavable and CIP/SIP safe
- Available with 250 mL bags, adapters for
- Nalgene or glass bottles, or 1" TC adapters

Note: Contact *BioWorks!* for available configurations...



BSV-H-250-N4
4 Nalgene Bottles



BSV-H-250-Bo
10 250 mL bags

