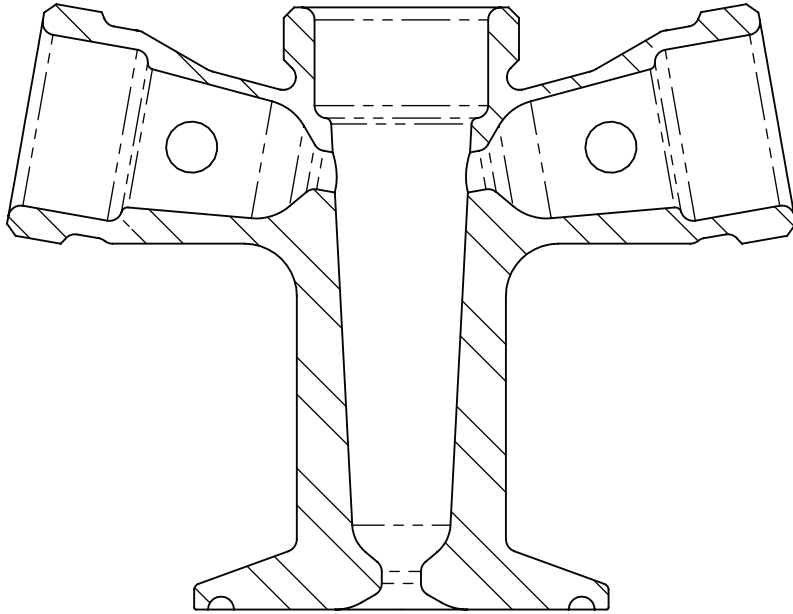


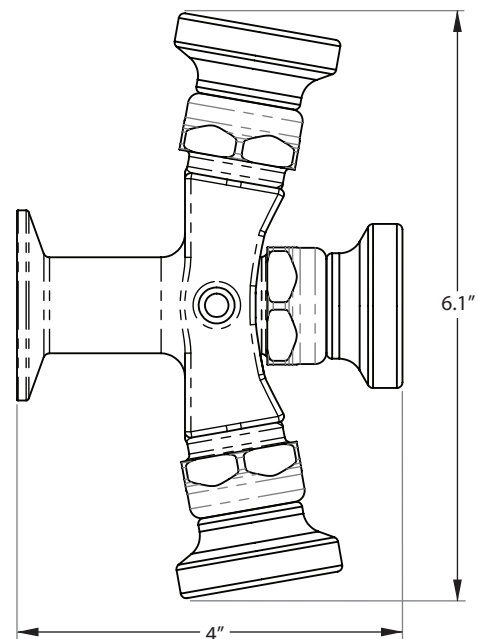
BSV: Valve Complex

BSV Sampling and Integrated SIP



Pictured at left is a cutaway of our BSV Complex valve body. Machined out of one piece it is designed from the onset for maximum cleanability.

- Minimal dead leg design
 - Fully drainable
 - Standard BSV internals
 - Silicone or TFM seal options
 - Custom configurations available
- Three inlet options:
- 1.5" Sanitary Flange (NA Connect compatible)
 - 25 mm Ingold
 - 19 mm Ingold



For questions on configuration options and detailed specifications please contact BioWorks! LLC.