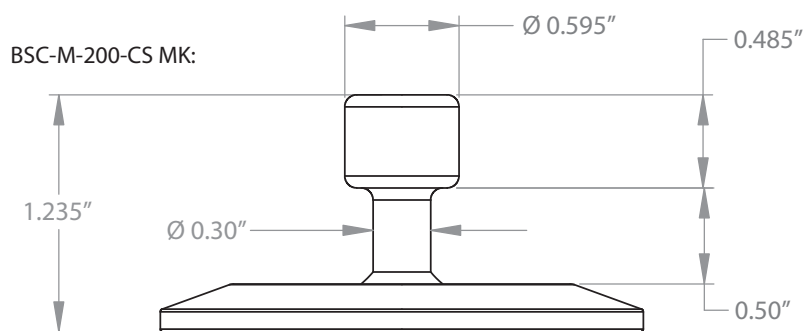
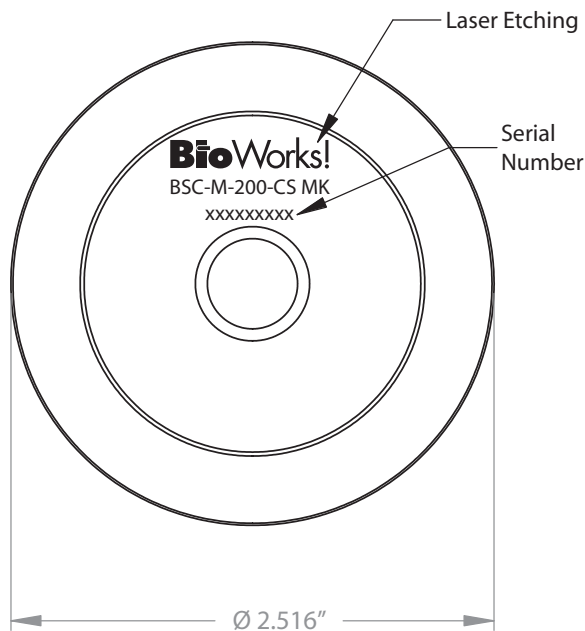
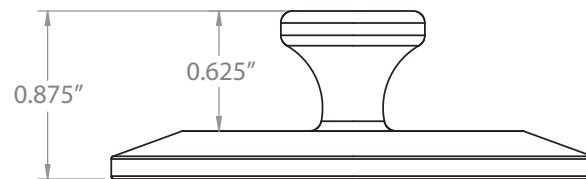


BSC: Sanitary Flange Caps

Dimensions:



BSC-M-200-MK:



Specifications:

- 316L Stainless Steel
- 20 μ -Inch Ra Electropolish
- Compatible with all standard sanitary flanges
- Handles allow for easy removal from vacuum
- Laser etched serial numbers for traceability

BSC-M-200-MK:



Contact BioWorks with any questions or to place an order:

BioWorks! LLC
1049 Bushkill Drive
Easton, PA 18042
(610) 559 - 1470

